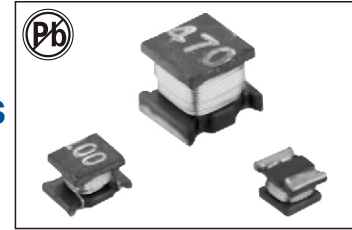


HIGH CURRENT SURFACE-MOUNT WIRE-WOUND INDUCTORS

FWLQH-1210 SERIES



FEATURES:

- Ferrite Core
- High Frequency Design
- Lower DCR permits High Idc
- Available in E12 series
- Excellent Q SRF Values
- Lead free versions
- RoHS compliant
- Excellent Thermal Stability

OPTIONS:

- Tape & Reel is Standard (Qty:2000pcs.)
- Bulk packaging Available for Smaller Quantities
- Tolerance:K=10%,M=20% is Standard, Tighter Tolerances Available

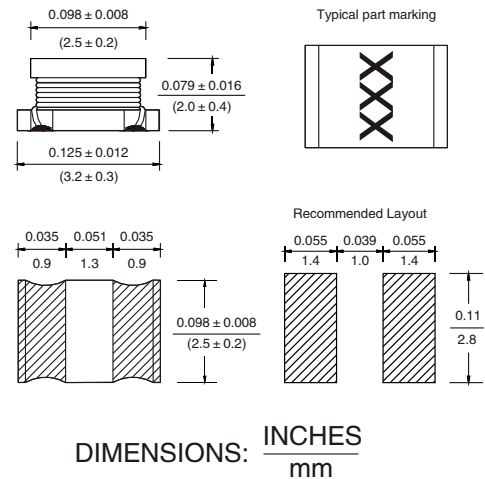
COMMON APPLICATIONS:

- Modems PDP. LCD TVs convertor
- Mobile Radios DC/DC convertor
- Cordless Telephones Car radios
- Global Positioning Systems
- Wireless Communications Equipment
- Networking System,xDSL Filter
- Computer Products and Peripherals

STANDARD SPECIFICATION

Part Number (FWLQH 1210 Series)	L(uH)	L Test Freq (KHz)	Q (Min)	Q Test Freq (MHz)	SRF (MHz)	DCR (ΩMax)	IDC (mA Max)
FWLQH1210-R10M	0.1	1	10	25.2	200	0.25	700
FWLQH1210-R18M	0.2	1	10	25.2	200	0.25	650
FWLQH1210-R27M	0.3	1	10	25.2	200	0.25	600
FWLQH1210-R39M	0.4	1	10	25.2	200	0.25	530
FWLQH1210-R56M	0.6	1	10	25.2	160	0.25	530
FWLQH1210-R68M	0.7	1	10	25.2	160	0.25	470
FWLQH1210-R82M	0.8	1	10	25.21	120	0.25	450
FWLQH1210-1R0M	1.0	1	10	1	100	0.5	445
FWLQH1210-1R2M	1.2	1	10	1	100	0.6	425
FWLQH1210-1R5M	1.5	1	10	1	75	0.6	400
FWLQH1210-1R8M	1.8	1	10	1	60	0.7	390
FWLQH1210-2R2M	2.2	1	10	1	50	0.8	370
FWLQH1210-2R7M	2.7	1	10	1	43	0.9	320
FWLQH1210-3R3M	3.3	1	10	1	38	1	300
FWLQH1210-3R9M	3.9	1	10	1	35	1.1	290
FWLQH1210-4R7K	4.7	1	20	1	31	1.2	270
FWLQH1210-5R6K	5.6	1	20	1	28	1.3	250
FWLQH1210-6R8K	6.8	1	20	1	25	1.5	240
FWLQH1210-8R2K	8.2	1	20	1	23	1.6	225
FWLQH1210-100K	10.0	1	25	1	20	1.8	190
FWLQH1210-120K	12.0	1	25	1	18	2	180
FWLQH1210-150K	15.0	1	25	1	16	2.2	170
FWLQH1210-180K	18.0	1	25	1	15	2.5	165
FWLQH1210-220K	22.0	1	25	1	14	2.8	150
FWLQH1210-270K	27.0	1	25	1	13	3.1	125
FWLQH1210-330K	33.0	1	25	1	12	3.5	115
FWLQH1210-390K	39.0	1	25	1	11	3.9	110
FWLQH1210-470K	47.0	1	25	1	11	4.3	100
FWLQH1210-560K	56.0	1	25	1	10	4.9	85
FWLQH1210-680K	68.0	1	25	1	9	5.5	80
FWLQH1210-820K	82.0	1	25	1	8.5	6.2	70
FWLQH1210-101K	100.0	1	30	0.796	8	7	80
FWLQH1210-121K	120.0	1	30	0.796	7.5	8	75
FWLQH1210-151K	150.0	1	30	0.796	7	9.3	70
FWLQH1210-181K	180.0	1	30	0.796	6	10.2	65
FWLQH1210-221K	220.0	1	30	0.796	5.5	11.8	65
FWLQH1210-271K	270.0	1	30	0.796	5	12.5	65
FWLQH1210-331K	330.0	1	30	0.796	5	13	65
FWLQH1210-391K	390.0	1	30	0.796	5	22	50
FWLQH1210-471K	470.0	1	30	0.796	5	25	45
FWLQH1210-561K	560.0	1	30	0.796	5	28	40

PHYSICAL CHARACTERISTICS



ELECTRONICAL SCHEMATIC

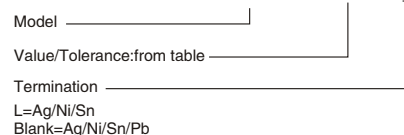


TECHNICAL INFORMATION

- Inductance Testing: HP4291A,HP16193A,HP4286A or equivalent
- RDC:QuadTech 1880 Milliohmmeter
- Q- HP4342A
- SRF-HP4191A
- Rated Current L value drop10%typ.at IDCagainst its initial value
- Temperature rise 40°C Max Reference ambient temperature
- Solderability: 75% of the terminal electrode shall be covered
- Soldering Methods: Wave,Reflow
- Operating Temperature:-25°C to +85°C
- Storage Temperature: -55°C to +125°C

Note: All specifications subject to change without notice.

FWLQH1210-100M



Note:1. K= ± 10%,M= ± 20%